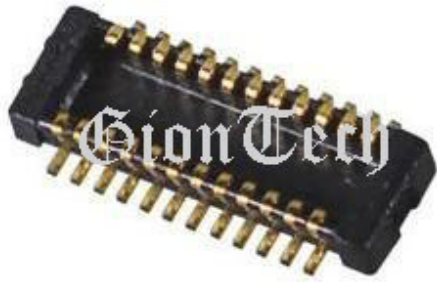


0.4mm BTB (BB0.4F-2xXAF) Connector:

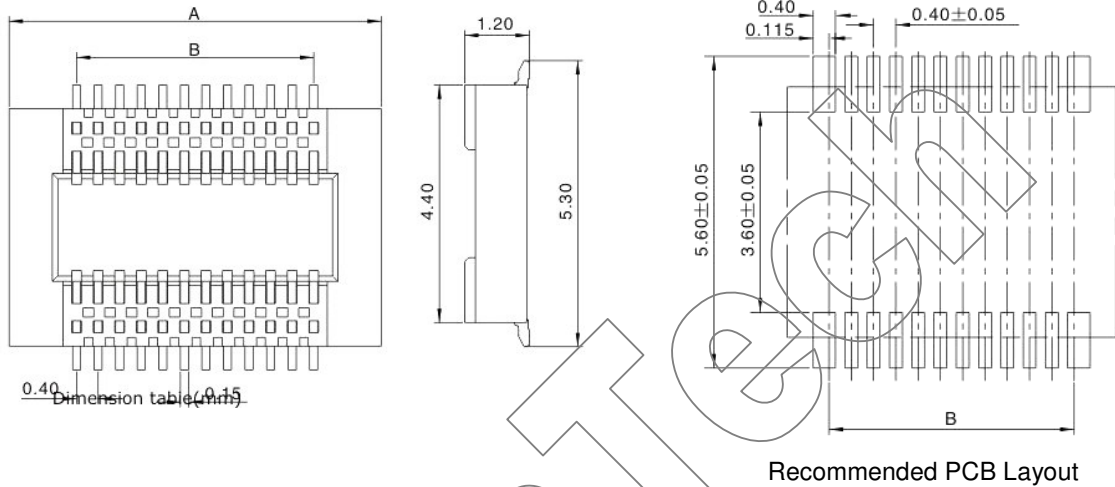


SPECIFICATIONS

Pitch:	0.4 mm
Number of contacts:	24 pins
Current Rating:	0.5A, AC, DC
Voltage Rating:	100V, AC, DC
Operating Temperature:	-40°C ~+105°C
Relative Humidity:	93%, +40°C
Dielectric Withstanding:	250V AC/minute
Contact Resistance:	≤ 30 mΩ/Contact
Insulator Resistance:	≥ 500 MΩ at 100V
Material:	
Base:	Nylon6T/LCP, UL94V-0
Contact Pin:	Phosphor Bronze

ROHS Compliance

BB0.4F-2xXAF



Part No.	Dimensions (mm)	
	A	B
BB0.4F-2x12AF	6.90	4.40