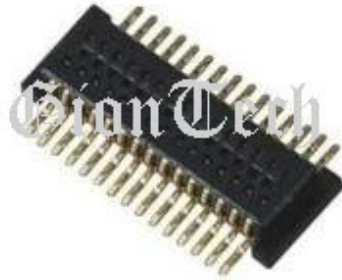


0.4mm BTB (BB0.4F-2xXAM) Connector:

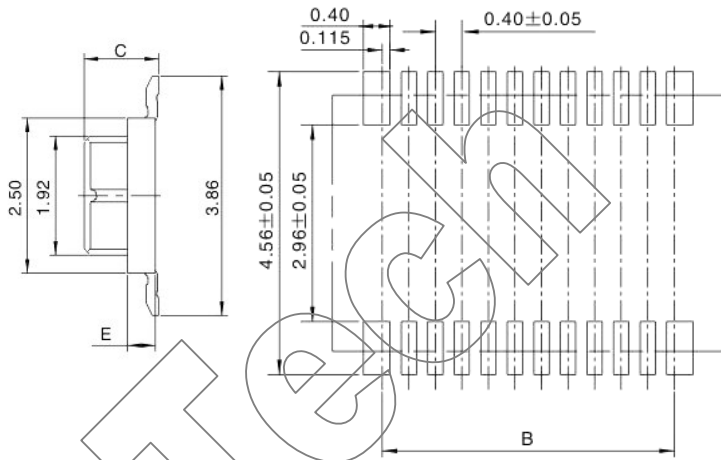
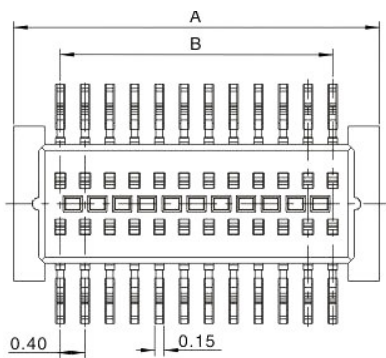


SPECIFICATIONS

Pitch: 0.4 mm
 Number of contacts: 24, 30 pins
 Current Rating: 0.5A, AC, DC
 Voltage Rating: 100V, AC, DC
 Operating Temperature: -40°C ~ +105°C
 Relative Humidity: 93%, +40°C
 Dielectric Withstanding: 250V AC/minute
 Contact Resistance: ≤ 30 mΩ/Contact
 Insulator Resistance: ≥ 500 MΩ at 100V
 Material:
 Base: Nylon6T/LCP, UL94V-0
 Contact Pin: Phosphor Bronze

ROHS Compliance

BB0.4F-2xXAM



Recommended PCB Layout

Part No.	Dimensions (mm)		
	A	B	C
BB0.4F-2x12AM	5.90	4.40	1.20/1.70
BB0.4F-2x15AM	7.10	5.60	1.20

Mated height	C
1.5mm	1.2
2.0mm	1.7