

0.8mm BTB (BB0.8-2xXAF) Connector:

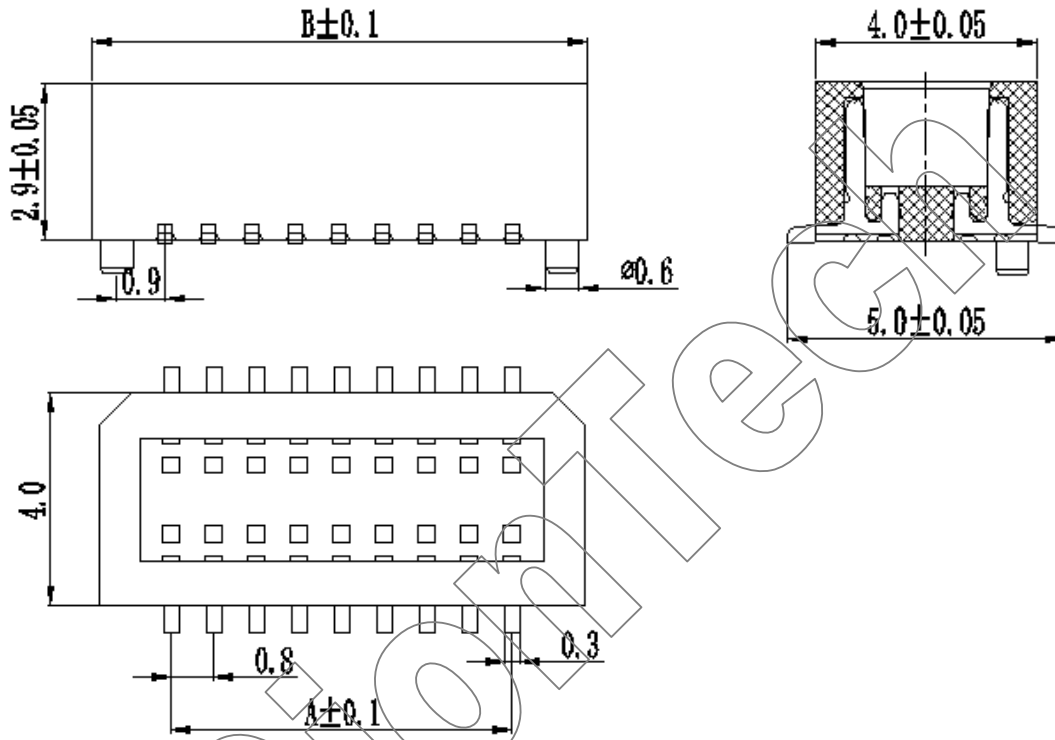


SPECIFICATIONS

Pitch:	0.8 mm
Number of contacts:	10 to 40 pins
Current Rating:	0.5A, AC, DC
Voltage Rating:	100V, AC, DC
Operating Temperature:	-25°C ~+85°C
Relative Humidity:	93%, +40°C
Dielectric Withstanding:	250V AC/minute
Contact Resistance:	≤ 20 mΩ/Contact
Insulator Resistance:	≥ 500 MΩ at 100V
Material:	
Base:	Nylon6T/LCP, UL94V-0
Contact Pin:	Phosphor Bronze

ROHS Compliance

BB0.8-2xXAF



Part No.	Dimensions (mm)		Part No.	Dimensions (mm)		Part No.	Dimensions (mm)	
	A	B		A	B		A	B
BB0.8-2x5AF	3.2	5.9	BB0.8-2x11AF	8.0	10.7	BB0.8-2x17AF	12.8	15.5
BB0.8-2x6AF	4.0	6.7	BB0.8-2x12AF	8.8	11.5	BB0.8-2x18AF	13.6	16.3
BB0.8-2x7AF	4.8	7.5	BB0.8-2x13AF	9.6	12.3	BB0.8-2x19AF	14.4	17.1
BB0.8-2x8AF	5.6	8.3	BB0.8-2x14AF	10.4	13.1	BB0.8-2x20AF	15.2	17.9
BB0.8-2x9AF	6.4	9.1	BB0.8-2x15AF	11.2	13.9			
BB0.8-2x10AF	7.2	9.9	BB0.8-2x16AF	12.0	14.7			