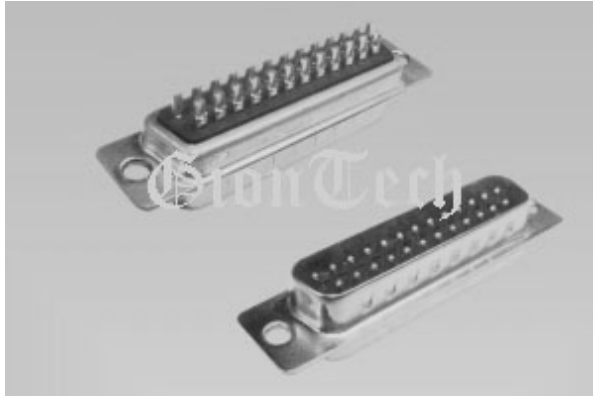


Dual Row, Male, Vertical, Soldering Type D-SUB:

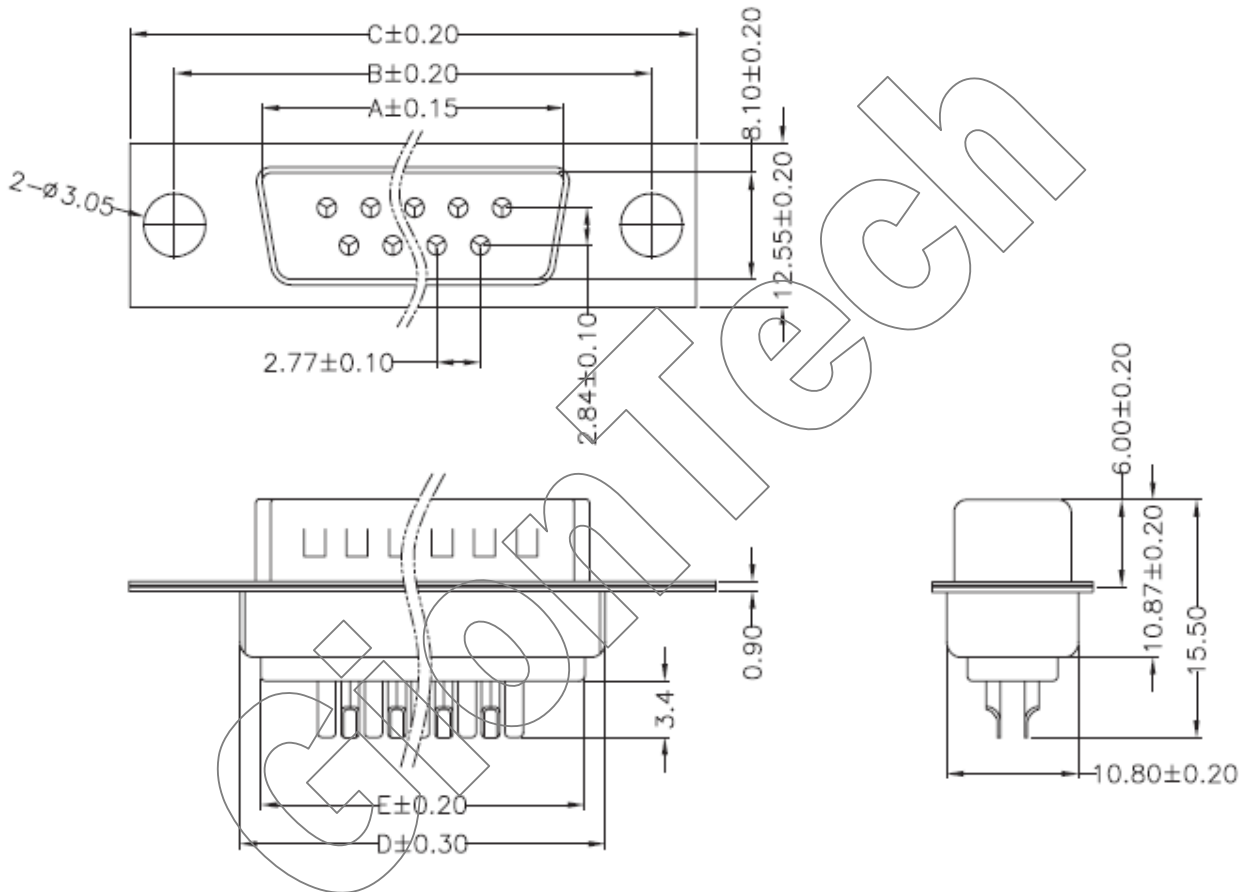


SPECIFICATIONS

Power Rating:	5.0A/125V AC, DC
Operating Temperature:	-55°C ~+105°C
Relative Humidity:	93%, +40°C
Dielectric Withstanding:	1000V AC/minute
Contact Resistance:	≤ 10 mΩ/Contact
Insulator Resistance:	≥ 1000 MΩ at 500V
Material:	
Insulator:	PBT + 30% GF, UL94V-0
Contact Pin:	Copper Alloy
Shell:	Steel, Ni/Tin Plated
Contact Plating:	Selective Au plated Over 50u" Ni on contact pin

ROHS Compliance

DB-9SM-XA, DB-15SM-XA, DB-25SM-XA, DB-37SM-XA



Circuit	Part No. (w/o Locking)	Dimensions (mm)					Colour Code (X)	Colour
		A	B	C	D	E		
9	DB-9SM-1A	17.77	24.99	30.90	19.20	15.65	1	Black
15	DB-15SM-1A	25.25	33.32	39.14	27.65	24.60	2	White
25	DB-25SM-1A	38.38	47.04	53.04	41.10	38.00	3	Green
37	DB-37SM-1A	55.52	63.50	69.32	57.44	54.50	4	Blue
							5	Yellow