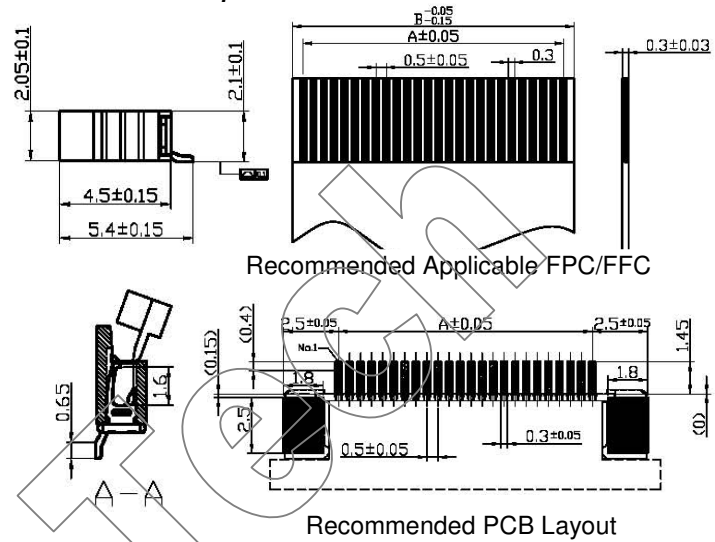
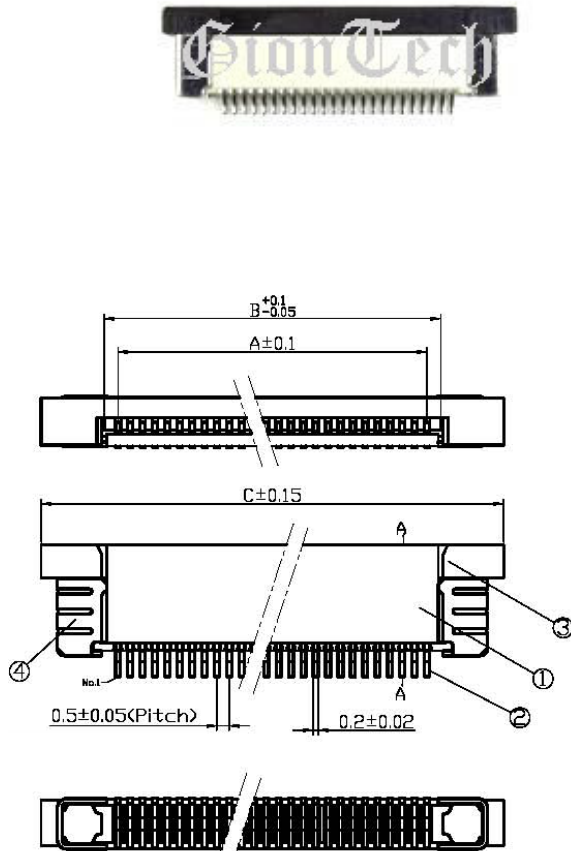


FPC0.5A-B-SMT-XPW: PITCH 0.5mm ZIF FFC/FPC Conn. SMT R/A B/C Type (H = 2.05mm)

SPECIFICATIONS

Pitch: 0.5 mm
 Current Rating: 0.5A, AC, DC
 Voltage Rating: 50V, AC, DC
 Dielectric Withstanding: 500V AC/minute
 Insulator Resistance: $\geq 500 \text{ M}\Omega$ at 100V
 Contact Resistance: $\leq 30 \text{ m}\Omega/\text{Contact}$
 Operating Temperature: $-25^\circ\text{C} \sim +85^\circ\text{C}$
 Applicable FFC/FPC: $0.3\text{mm} \pm 0.03\text{mm}$
 Material:
 Base: Nylon6T/LCP, UL94V-0
 Latch: PPS, UL94V-0
 Contact Pin: Copper Alloy
 Contact Plating: Au or Sn Over 50u" Ni

ROHS Compliance



Circuit	Dimensions (mm)			Circuit	Dimensions (mm)			Circuit	Dimensions (mm)		
	A	B	C		A	B	C		A	B	C
4	1.5	2.6	7.7	23	11.0	12.1	17.2	42	20.5	21.6	26.7
5	2.0	3.1	8.2	24	11.5	12.6	17.7	43	21.0	22.1	27.2
6	2.5	3.6	8.7	25	12.0	13.1	18.2	44	21.5	22.6	27.7
7	3.0	4.1	9.2	26	12.5	13.6	18.7	45	22.0	23.1	28.2
8	3.5	4.6	9.7	27	13.0	14.1	19.2	46	22.5	23.6	28.7
9	4.0	5.1	10.2	28	13.5	14.6	19.7	47	23.0	24.1	29.2
10	4.5	5.6	10.7	29	14.0	15.1	20.2	48	23.5	24.6	29.7
11	5.0	6.1	11.2	30	14.5	15.6	20.7	49	24.0	25.1	30.2
12	5.5	6.6	11.7	31	15.0	16.1	21.2	50	24.5	25.6	30.7
13	6.0	7.1	12.2	32	15.5	16.6	21.7	51	25.0	26.1	31.2
14	6.5	7.6	12.7	33	16.0	17.1	22.2	52	25.5	26.6	31.7
15	7.0	8.1	13.2	34	16.5	17.6	22.7	53	26.0	27.1	32.2
16	7.5	8.6	13.7	35	17.0	18.1	23.2	54	26.5	27.6	32.7
17	8.0	9.1	14.2	36	17.5	18.6	23.7	55	27.0	28.1	33.2
18	8.5	9.6	14.7	37	18.0	19.1	24.2	56	27.5	28.6	33.7
19	9.0	10.1	15.2	38	18.5	19.6	24.7	57	28.0	29.1	34.2
20	9.5	10.6	15.7	39	19.0	20.1	25.2	58	28.5	29.6	34.7
21	10.0	11.1	16.2	40	19.5	20.6	25.7	59	29.0	30.1	35.2
22	10.5	11.6	16.7	41	20.0	21.1	26.2	60	29.5	30.6	35.7