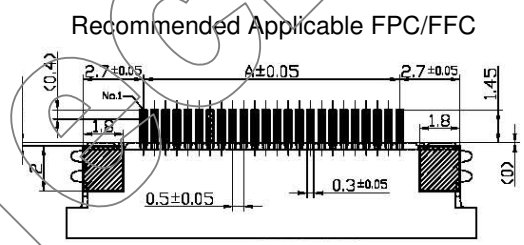
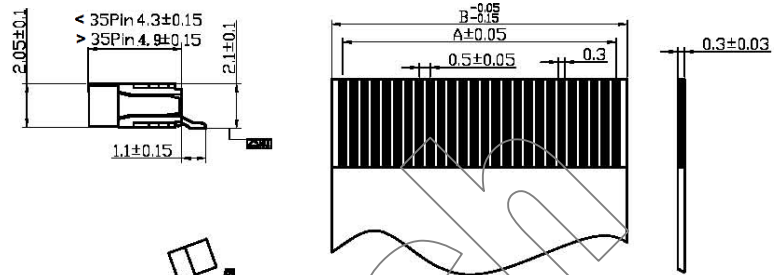
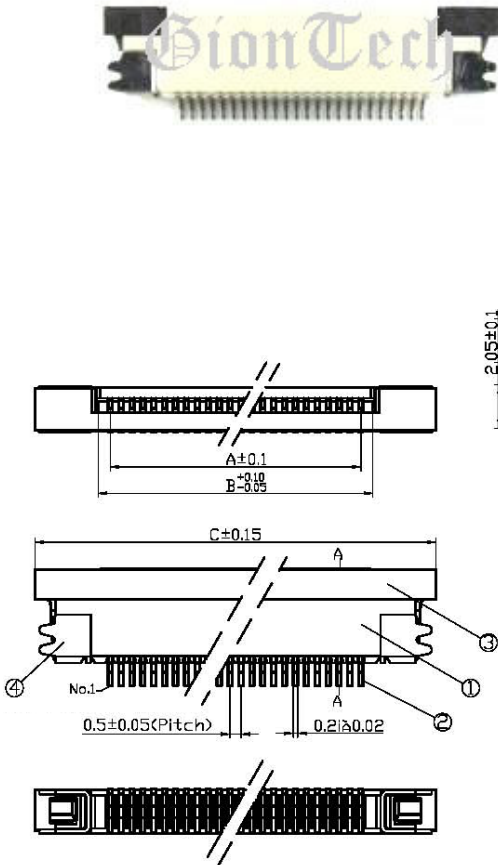


FPC0.5B-A-SMT-XPW: PITCH 0.5mm ZIF FFC/FPC Conn. SMT R/A T/C Type (H = 2.05mm)

SPECIFICATIONS

Pitch: 0.5 mm
 Current Rating: 0.5A, AC, DC
 Voltage Rating: 50V, AC, DC
 Dielectric Withstanding: 500V AC/minute
 Insulator Resistance: $\geq 500 \text{ M}\Omega$ at 100V
 Contact Resistance: $\leq 30 \text{ m}\Omega/\text{Contact}$
 Operating Temperature: $-25^\circ\text{C} \sim +85^\circ\text{C}$
 Applicable FFC/FPC: $0.3\text{mm} \pm 0.03\text{mm}$
 Material:
 Base: Nylon6T/LCP, UL94V-0
 Latch: PPS, UL94V-0
 Contact Pin: Copper Alloy
 Contact Plating: Au or Sn Over 50u" Ni

ROHS Compliance



Recommended PCB Layout

| Circuit | Dimensions (mm) | | | Circuit | Dimensions (mm) | | | Circuit | Dimensions (mm) | | |
|---------|-----------------|------|------|---------|-----------------|------|------|---------|-----------------|------|------|
| | A | B | C | | A | B | C | | A | B | C |
| 4 | 1.5 | 2.6 | 8.4 | 23 | 11.0 | 12.1 | 17.9 | 42 | 20.5 | 21.6 | 27.4 |
| 5 | 2.0 | 3.1 | 8.9 | 24 | 11.5 | 12.6 | 18.4 | 43 | 21.0 | 22.1 | 27.9 |
| 6 | 2.5 | 3.6 | 9.4 | 25 | 12.0 | 13.1 | 18.9 | 44 | 21.5 | 22.6 | 28.4 |
| 7 | 3.0 | 4.1 | 9.9 | 26 | 12.5 | 13.6 | 19.4 | 45 | 22.0 | 23.1 | 28.9 |
| 8 | 3.5 | 4.6 | 10.4 | 27 | 13.0 | 14.1 | 19.9 | 46 | 22.5 | 23.6 | 29.4 |
| 9 | 4.0 | 5.1 | 10.9 | 28 | 13.5 | 14.6 | 20.4 | 47 | 23.0 | 24.1 | 29.9 |
| 10 | 4.5 | 5.6 | 11.4 | 29 | 14.0 | 15.1 | 20.9 | 48 | 23.5 | 24.6 | 30.4 |
| 11 | 5.0 | 6.1 | 11.9 | 30 | 14.5 | 15.6 | 21.4 | 49 | 24.0 | 25.1 | 30.9 |
| 12 | 5.5 | 6.6 | 12.4 | 31 | 15.0 | 16.1 | 21.9 | 50 | 24.5 | 25.6 | 31.4 |
| 13 | 6.0 | 7.1 | 12.9 | 32 | 15.5 | 16.6 | 22.4 | 51 | 25.0 | 26.1 | 31.9 |
| 14 | 6.5 | 7.6 | 13.4 | 33 | 16.0 | 17.1 | 22.9 | 52 | 25.5 | 26.6 | 32.4 |
| 15 | 7.0 | 8.1 | 13.9 | 34 | 16.5 | 17.6 | 23.4 | 53 | 26.0 | 27.1 | 32.9 |
| 16 | 7.5 | 8.6 | 14.4 | 35 | 17.0 | 18.1 | 23.9 | 54 | 26.5 | 27.6 | 33.4 |
| 17 | 8.0 | 9.1 | 14.9 | 36 | 17.5 | 18.6 | 24.4 | 55 | 27.0 | 28.1 | 33.9 |
| 18 | 8.5 | 9.6 | 15.4 | 37 | 18.0 | 19.1 | 24.9 | 56 | 27.5 | 28.6 | 34.4 |
| 19 | 9.0 | 10.1 | 15.9 | 38 | 18.5 | 19.6 | 25.4 | 57 | 28.0 | 29.1 | 34.9 |
| 20 | 9.5 | 10.6 | 16.4 | 39 | 19.0 | 20.1 | 25.9 | 58 | 28.5 | 29.6 | 35.4 |
| 21 | 10.0 | 11.1 | 16.9 | 40 | 19.5 | 20.6 | 26.4 | 59 | 29.0 | 30.1 | 35.9 |
| 22 | 10.5 | 11.6 | 17.4 | 41 | 20.0 | 21.1 | 26.9 | 60 | 29.5 | 30.6 | 36.4 |