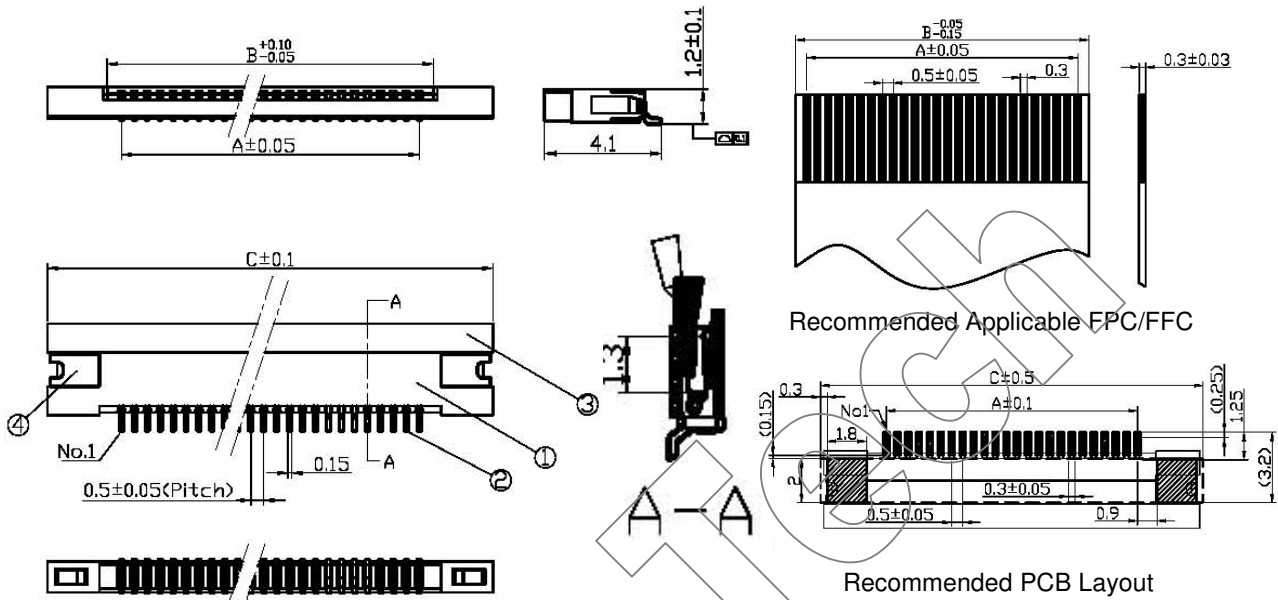


FPC0.5C-A-SMT-XPW: PITCH 0.5mm ZIF FFC/FPC Conn. SMT R/A T/C Type (H = 1.2mm)

SPECIFICATIONS

Pitch: 0.5 mm
 Current Rating: 0.5A, AC, DC
 Voltage Rating: 50V, AC, DC
 Dielectric Withstanding: 500V AC/minute
 Insulator Resistance: $\geq 500 \text{ M}\Omega$ at 100V
 Contact Resistance: $\leq 30 \text{ m}\Omega/\text{Contact}$
 Operating Temperature: $-25^\circ\text{C} \sim +85^\circ\text{C}$
 Applicable FFC/FPC: $0.3\text{mm} \pm 0.03\text{mm}$
 Material:
 Base: Nylon6T/LCP, UL94V-0
 Latch: PPS, UL94V-0
 Contact Pin: Copper Alloy
 Contact Plating: Au or Sn Over $50\mu\text{m}$ Ni

ROHS Compliance



Circuit	Dimensions (mm)			Circuit	Dimensions (mm)		
	A	B	C		A	B	C
4	1.5	2.6	7.3	21	10.0	11.1	15.8
5	2.0	3.1	7.8	22	10.5	11.6	16.3
6	2.5	3.6	8.3	23	11.0	12.1	16.8
7	3.0	4.1	8.8	24	11.5	12.6	17.3
8	3.5	4.6	9.3	25	12.0	13.1	17.8
9	4.0	5.1	9.8	26	12.5	13.6	18.3
10	4.5	5.6	10.3	27	13.0	14.1	18.8
11	5.0	6.1	10.8	28	13.5	14.6	19.3
12	5.5	6.6	11.3	29	14.0	15.1	19.8
13	6.0	7.1	11.8	30	14.5	15.6	20.3
14	6.5	7.6	12.3	31	15.0	16.1	20.8
15	7.0	8.1	12.8	32	15.5	16.6	21.0
16	7.5	8.6	13.3	33	16.0	17.1	21.8
17	8.0	9.1	13.8	34	16.5	17.6	22.3
18	8.5	9.6	14.3	35	17.0	18.1	22.8
19	9.0	10.1	14.8	36	17.5	18.6	23.3
20	9.5	10.6	15.3				