

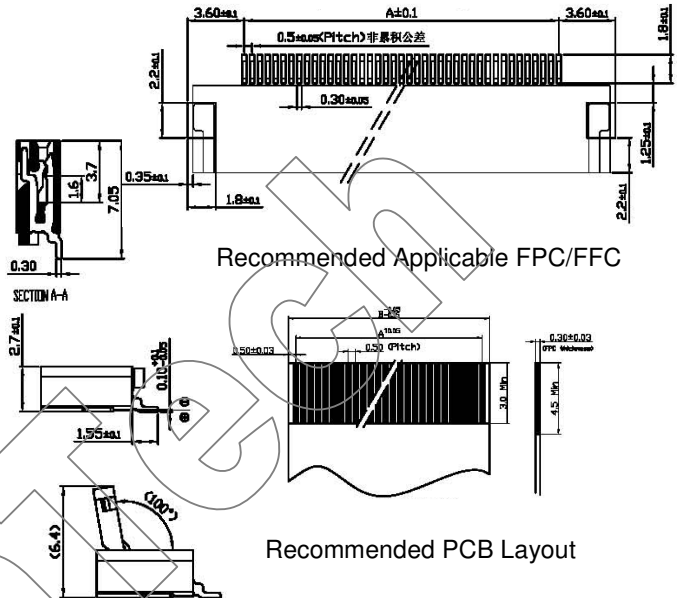
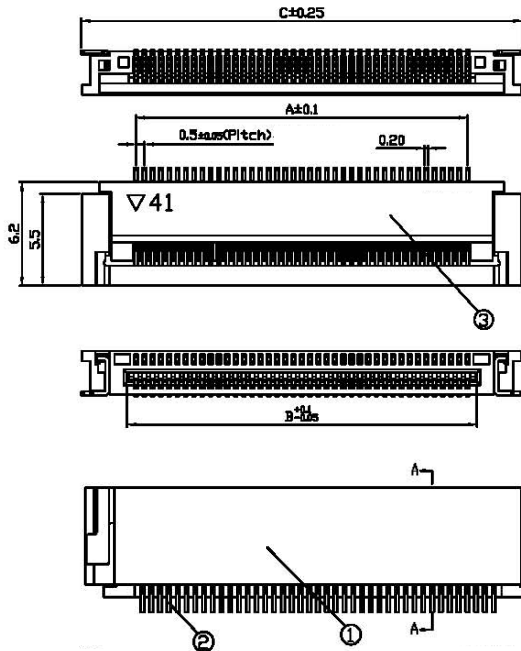
FPC0.5G-B-SMT-XPW: PITCH 0.5mm ZIF FFC/FPC CONN. SMT R/A Back Flip-Lock Type
(H = 2.7mm)



SPECIFICATIONS

Pitch: 0.5 mm
 Current Rating: 0.5A, AC, DC
 Voltage Rating: 50V, AC, DC
 Dielectric Withstanding: 500V AC/minute
 Insulator Resistance: ≥ 500 MΩ at 100V
 Contact Resistance: ≤ 30 mΩ/Contact
 Operating Temperature: -25°C ~+85°C
 Applicable FFC/FPC: 0.3mm ± 0.03mm
 Material:
 Base: Nylon6T/LCP, UL94V-0
 Contact Pin: Copper Alloy
 Contact Plating: Au or Sn Over 50u" Ni

ROHS Compliance



Circuit	Dimensions (mm)			Circuit	Dimensions (mm)			Circuit	Dimensions (mm)			Circuit	Dimensions (mm)		
	A	B	C		A	B	C		A	B	C		A	B	C
4	1.5	2.6	8.5	19	9.0	10.1	16.0	34	16.5	17.6	23.5	49	24.0	25.1	31.0
5	2.0	3.1	9.0	20	9.5	10.6	16.5	35	17.0	18.1	24.0	50	24.5	25.6	31.5
6	2.5	3.6	9.5	21	10.0	11.1	17.0	36	17.5	18.6	24.5	51	25.0	26.1	32.0
7	3.0	4.1	10.0	22	10.5	11.6	17.5	37	18.0	19.1	25.0	52	25.5	26.6	32.5
8	3.5	4.6	10.5	23	11.0	12.1	18.0	38	18.5	19.6	25.5	53	26.0	27.1	33.0
9	4.0	5.1	11.0	24	11.5	12.6	18.5	39	19.0	20.1	26.0	54	26.5	27.6	33.5
10	4.5	5.6	11.5	25	12.0	13.1	19.0	40	19.5	20.6	26.5	55	27.0	28.1	34.0
11	5.0	6.1	12.0	26	12.5	13.6	19.5	41	20.0	21.1	27.0	56	27.5	28.6	34.5
12	5.5	6.6	12.5	27	13.0	14.1	20.0	42	20.5	21.6	27.5	57	28.0	29.1	35.0
13	6.0	7.1	13.0	28	13.5	14.6	20.5	43	21.0	22.1	28.0	58	28.5	29.6	35.5
14	6.5	7.6	13.5	29	14.0	15.1	21.0	44	21.5	22.6	28.5	60	29.5	30.6	36.5
15	7.0	8.1	14.0	30	14.5	15.6	21.5	45	22.0	23.1	29.0	64	31.5	32.6	38.5
16	7.5	8.6	14.5	31	15.0	16.1	22.0	46	22.5	23.6	29.5	80	39.5	40.6	46.5
17	8.0	9.1	15.0	32	15.5	16.6	22.2	47	23.0	24.1	30.0				
18	8.5	9.6	15.5	33	16.0	17.1	23.0	48	23.5	24.6	30.5				