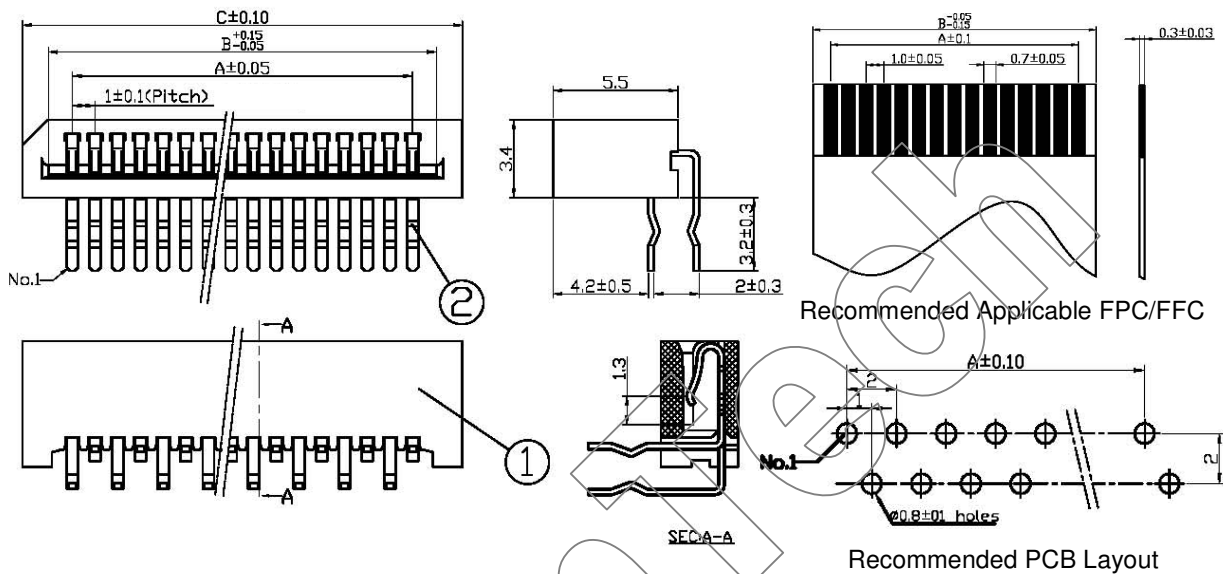
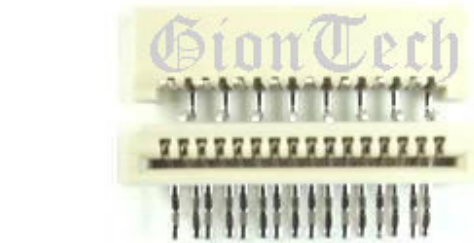


FPC1.0S-AN-TH-XPW: PITCH 1.0mm ZIF FFC/FPC CONN. SMT R/A T/C N Type (H = 3.4mm)

SPECIFICATIONS

Pitch: 1.0 mm
 Current Rating: 0.5A, AC, DC
 Voltage Rating: 100V, AC, DC
 Dielectric Withstanding: 500V AC/minute
 Insulator Resistance: $\geq 800 \text{ M}\Omega$ at 100V
 Contact Resistance: $\leq 30 \text{ m}\Omega/\text{Contact}$
 Operating Temperature: $-25^\circ\text{C} \sim +85^\circ\text{C}$
 Applicable FFC/FPC: $0.3\text{mm} \pm 0.03\text{mm}$
 Material:
 Base: Nylon6T/LCP, UL94V-0
 Contact Pin: Copper Alloy
 Contact Plating: Au or Sn Over $50\mu\text{Ni}$

ROHS Compliance



Circuit	Dimensions (mm)			Circuit	Dimensions (mm)			Circuit	Dimensions (mm)		
	A	B	C		A	B	C		A	B	C
4	3.0	5.1	7.6	17	16.0	18.1	20.6	30	29.0	31.1	33.6
5	4.0	6.1	8.6	18	17.0	19.1	21.6	31	30.0	32.1	34.6
6	5.0	7.1	9.6	19	18.0	20.1	22.6	32	31.0	33.1	35.6
7	6.0	8.1	10.6	20	19.0	21.1	23.6	33	32.0	34.1	36.6
8	7.0	9.1	11.6	21	20.0	22.1	24.6	34	33.0	35.1	37.6
9	8.0	10.1	12.6	22	21.0	23.1	25.6	35	34.0	36.1	38.6
10	9.0	11.1	13.6	23	22.0	24.1	26.6	36	35.0	37.1	39.6
11	10.0	12.1	14.6	24	23.0	25.1	27.6	37	36.0	38.1	40.6
12	11.0	13.1	15.6	25	24.0	26.1	28.6	38	37.0	39.1	41.6
13	12.0	14.1	16.6	26	25.0	27.1	29.6	39	38.0	40.1	42.6
14	13.0	15.1	17.6	27	26.0	28.1	30.6	40	39.0	41.1	43.6
15	14.0	16.1	18.6	28	27.0	29.1	31.6				
16	15.0	17.1	19.6	29	28.0	30.1	32.6				