

**HDMI Receptacle, SMT, A Type:**

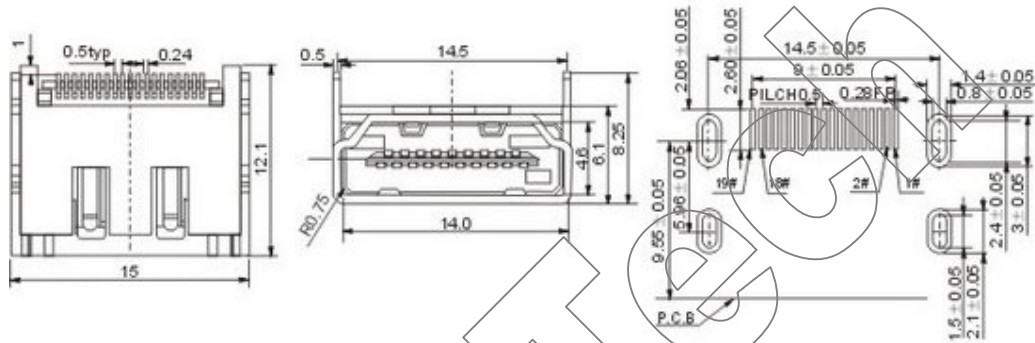


**SPECIFICATIONS**

Current Rating:	0.3A, AC, DC
Voltage Rating:	30V, AC, DC
Operating Temperature:	-25°C ~+85°C
Relative Humidity:	93%, +40°C
Dielectric Withstanding:	500V AC/minute
Contact Resistance:	≤ 20 mΩ/Contact
Insulator Resistance:	≥ 500 MΩ at 100V
Material:	
Shell:	Steel, Ni/Tin Plated
Insulator:	Nylon6T/ LCP, UL94V-0
Contact Pin:	Phosphor Bronze

**ROHS Compliance**

**HDAF-19AWB**



Recommended PCB Layout