

Multi-Function Switch (SMT Type)

MSG-83/08S-280/H




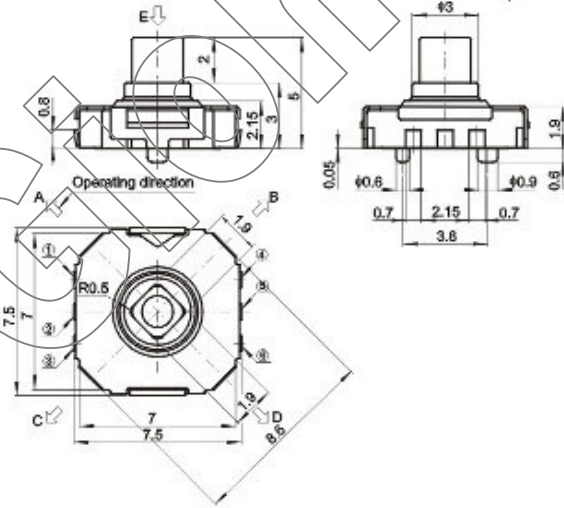
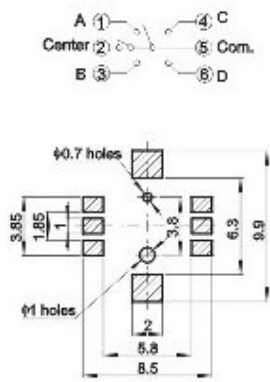
MS – Multi-Function Switch
G - G Series
83 / 84 – Type
S - SMT Type
XXX – Action Force (gram)
H - With Post (Optional)

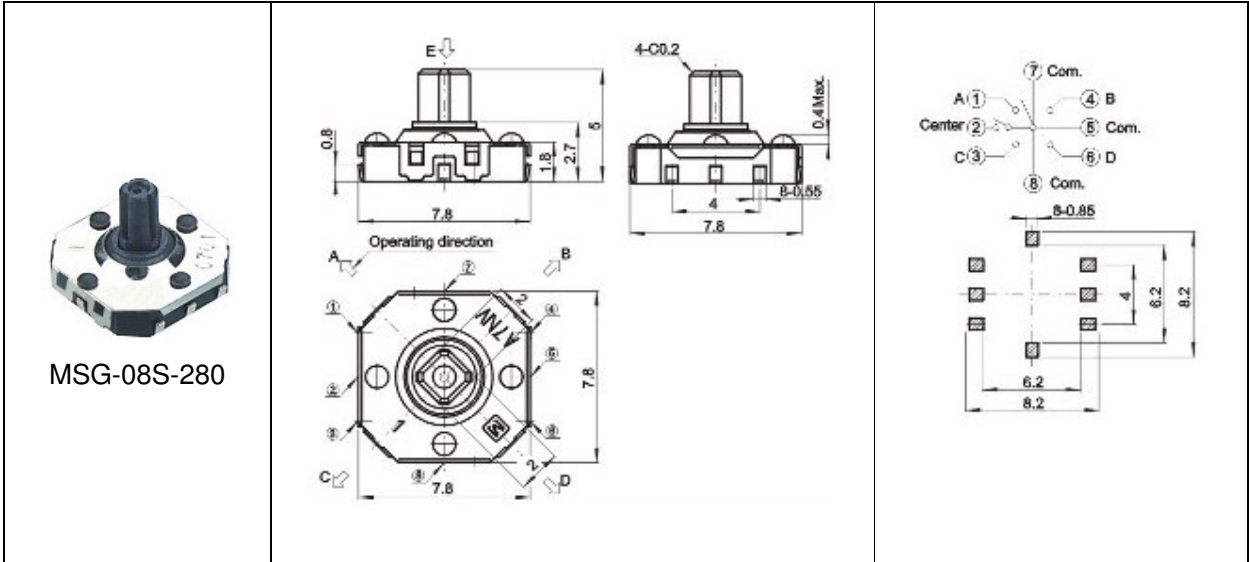
SPECIFICATIONS

Mechanical Life: 200,000 cycles
Operating Force: 4-Direction - 160g±40g
Center - 280g±80g
Rating: 50mA 15V DC
Dielectric withstanding: 250V AC/minute
Insulator resistance: ≥ 100 MΩ at 100V
Contact resistance: ≤ 100 mΩ/Contact
Operating temperature: -30°C ~ +70°C
Storage temperature: -40°C ~ +85°C

Material

Base: PA6T/LCP, UL94V-0
Contact material: Phosphor Bronze
Contact Spring Plating: Stainless Steel/Silver Plating

Physical Picture	Outline Drawing	Circuit / Footprint
 <p>MSG-83S-280H</p>		



MSG-08S-280

GionTech