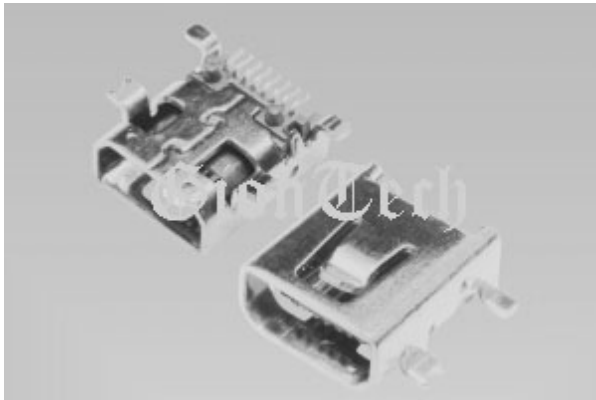


8 Pin Female Mini USB, R/A, SMT, A Type with Post:

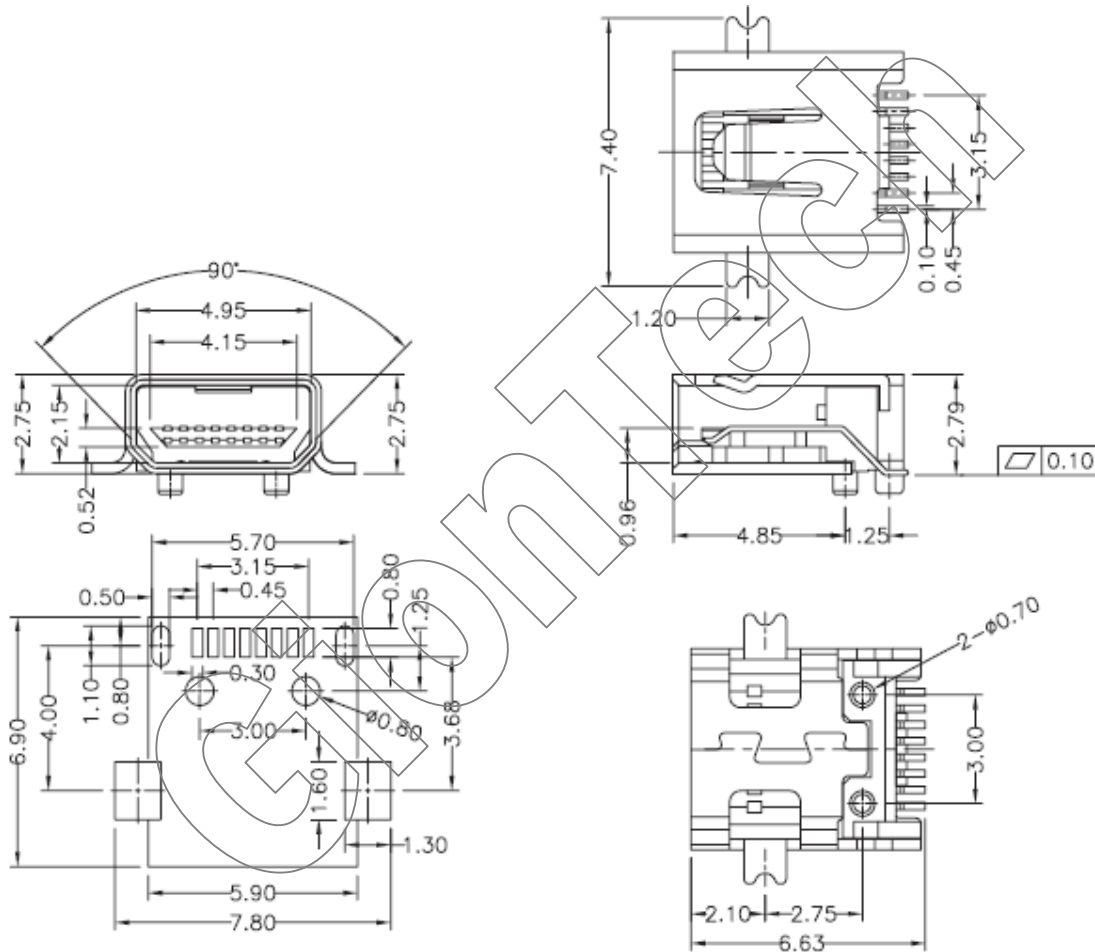


SPECIFICATIONS

Power Rating:	1.0A/30V DC Max.
Operating Temperature:	-25°C ~+85°C
Relative Humidity:	93%, +40°C
Dielectric Withstanding:	500V AC/minute
Contact Resistance:	≤ 30 mΩ/Contact
Insulator Resistance:	≥ 100 MΩ at 500V
Action Force:	3N-20N
Life Time:	5000 times
Material:	
Base:	PBT/Nylon6T, UL94V-0
Contact Pin:	Phosphor Bronze
Contact Plating:	Au or Sn Over 50u" Ni
Shell:	Copper Alloy, Ni or Tin plated

ROHS Compliance

MUA-8AWB-11XAH



Recommended PCB layout

- X - 1 (Black Color)**
- X - 2 (White Color)**