

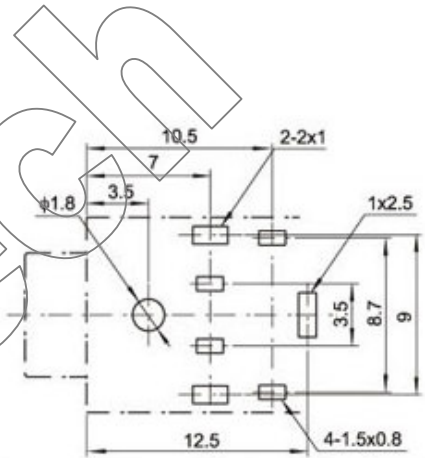
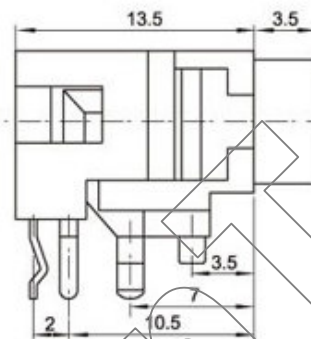
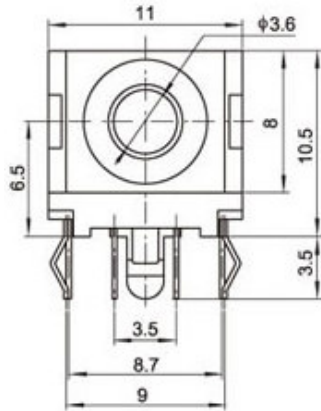
### 3.5mm Phone Jack (PJ-3.5T-7XX2):



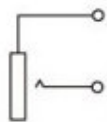
#### SPECIFICATIONS

Power Rating:	1.5A/30V DC Max.
Operating Temperature:	-25°C ~+85°C
Relative Humidity:	93%, +40°C
Dielectric Withstanding:	500V AC/minute
Contact Resistance:	≤ 30 mΩ/Contact
Insulator Resistance:	≥ 100 MΩ at 500V
Action Force:	3N-20N
Life Time:	5000 times
Material:	
Base:	PBT/Nylon6T, UL94V-0
Contact Pin:	Brass / Copper Alloy
Contact Plating:	Tin plated
<b>ROHS Compliance</b>	

- PJ-3.5T-7202**
- PJ-3.5T-7412**
- PJ-3.5T-7302**
- PJ-3.5T-7512**
- PJ-3.5T-75121**
- PJ-3.5T-7722**



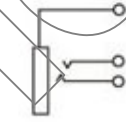
Recommended PCB layout



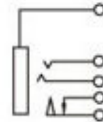
PJ-3.5T-7202



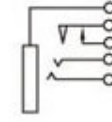
PJ-3.5T-7412



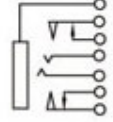
PJ-3.5T-7302



PJ-3.5T-7512



PJ-3.5T-75121



PJ-3.5T-7722