

3.5mm Phone Jack (PJ-3.5T-AXX1):

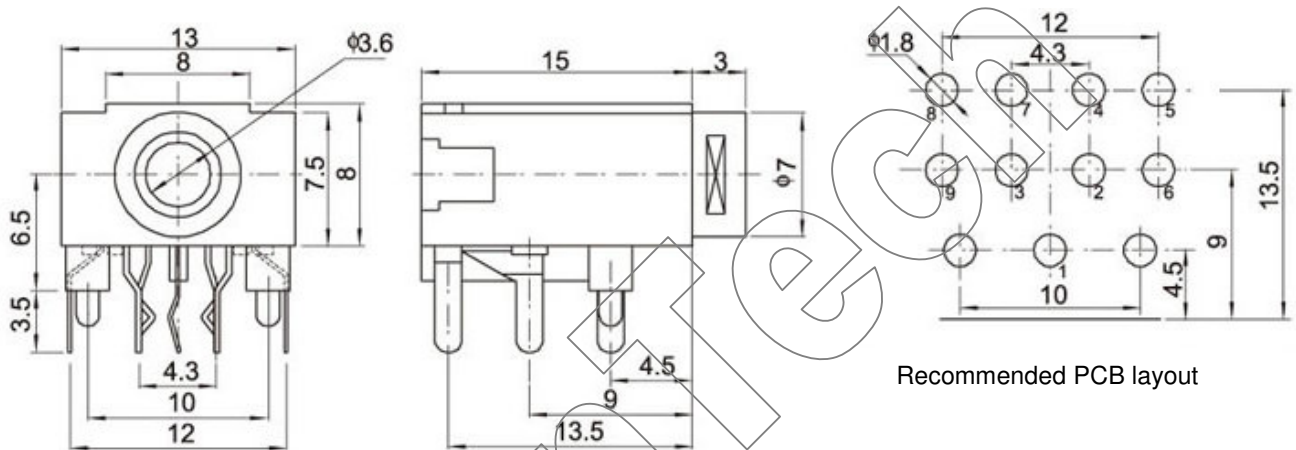


SPECIFICATIONS

Power Rating:	1.5A/30V DC Max.
Operating Temperature:	-25°C ~+85°C
Relative Humidity:	93%, +40°C
Dielectric Withstanding:	500V AC/minute
Contact Resistance:	≤ 30 mΩ/Contact
Insulator Resistance:	≥ 100 MΩ at 500V
Action Force:	3N-20N
Life Time:	5000 times
Material:	
Base:	PBT/Nylon6T, UL94V-0
Contact Pin:	Brass / Copper Alloy
Contact Plating:	Tin plated

ROHS Compliance

- PJ-3.5T-A921**
- PJ-3.5T-A721**
- PJ-3.5T-A511**
- PJ-3.5T-A411**
- PJ-3.5T-A301**



Recommended PCB layout

