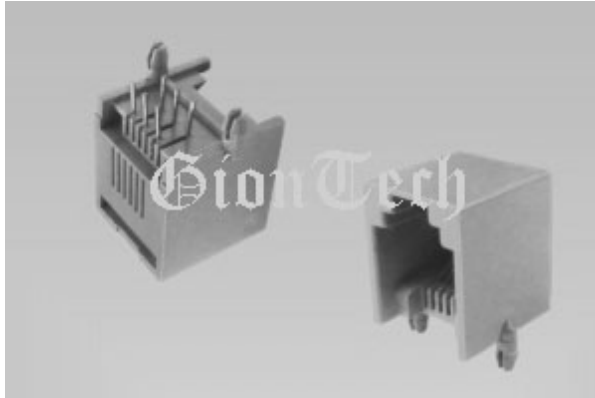


RJ11 6P6C Side Entry Connector:



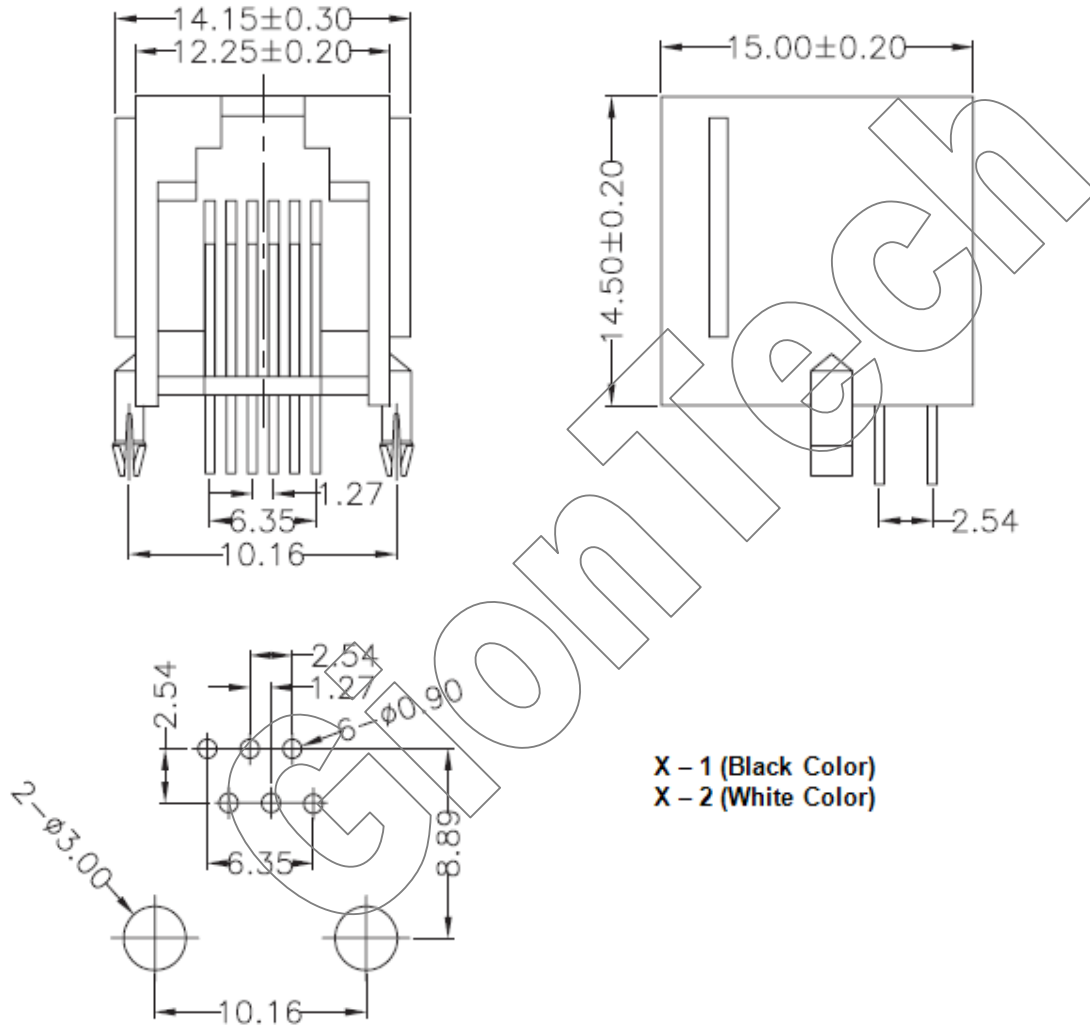
SPECIFICATIONS

Power Rating: 1.5A/125V AC, DC.
 Operating Temperature: -40°C ~+105°C
 Relative Humidity: 93%, +40°C
 Dielectric Withstanding: 1000V AC/minute
 Contact Resistance: ≤ 20 mΩ/Contact
 Insulator Resistance: ≥ 500 MΩ at 500V

Material:
 Base: PBT/Nylon6T, UL94V-0
 Contact Pin: Copper Alloy
 Contact Plating: Au Over 50u" Ni

ROHS Compliance

RJ11-6P6C-11X



X - 1 (Black Color)
X - 2 (White Color)

Recommended PCB layout