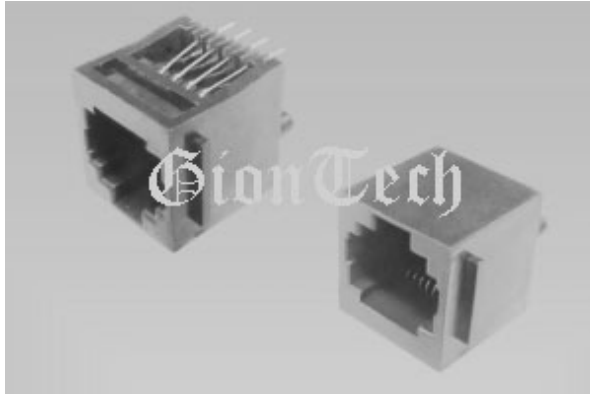


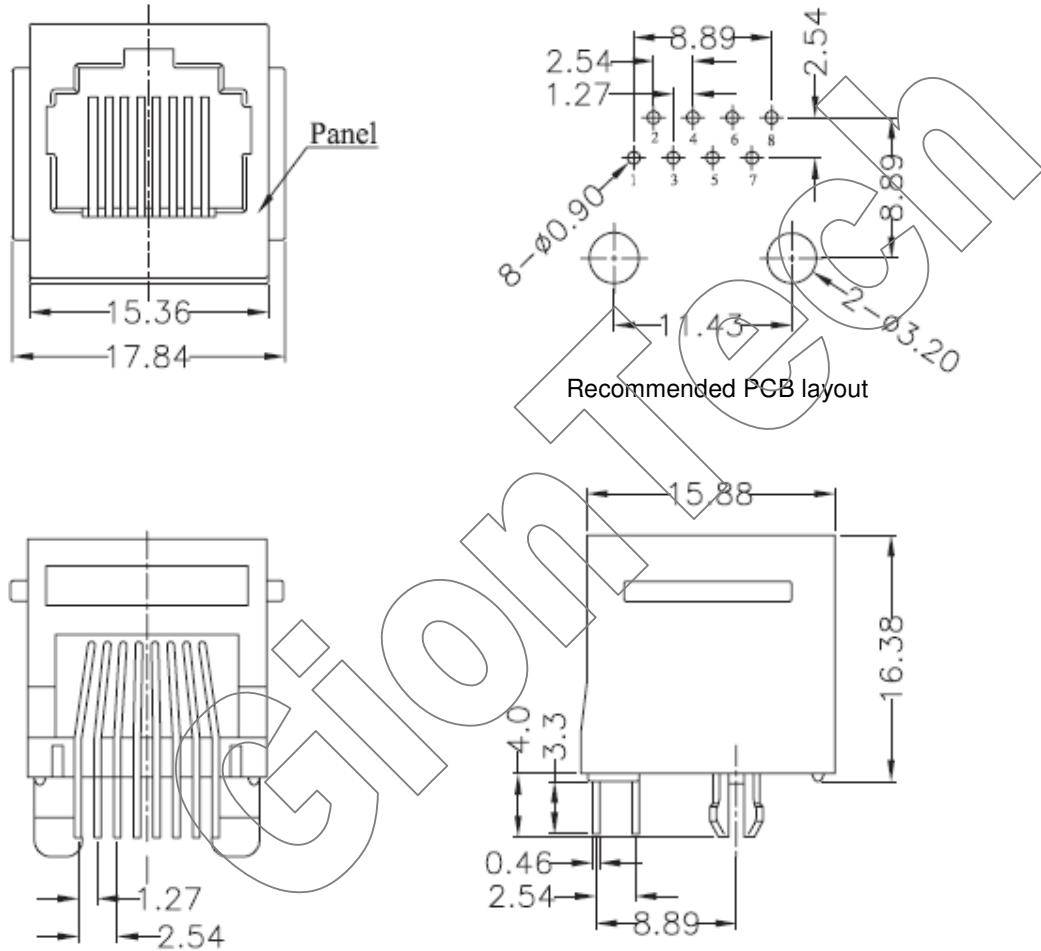
R45 8P8C Side Entry Connector:



SPECIFICATIONS

Power Rating:	1.5A/125V AC, DC.
Operating Temperature:	-40°C ~+105°C
Relative Humidity:	93%, +40°C
Dielectric Withstanding:	1000V AC/minute
Contact Resistance:	≤ 30 mΩ/Contact
Insulator Resistance:	≥ 1000 MΩ at 500V
Material:	
Housing:	PBT/Nylon66, UL94V-0
Terminals:	Phosphor Bronze
Shell:	Copper Alloy / Steel, Ni/Tin Plated
Terminal Plating:	Au/Tin Over 50u" Ni
ROHS Compliance	

RJ45-8P8C-11X



- X - 1 (Black Color)
- X - 2 (White Color)