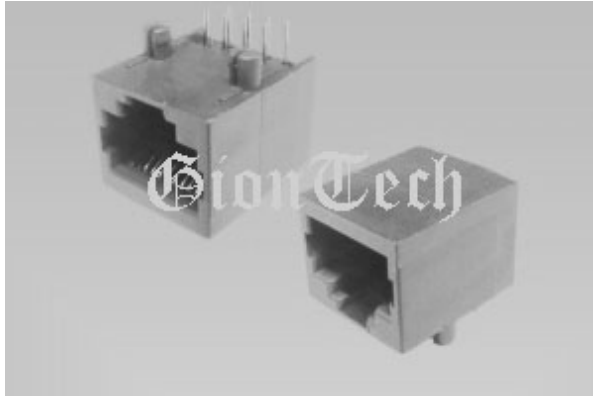


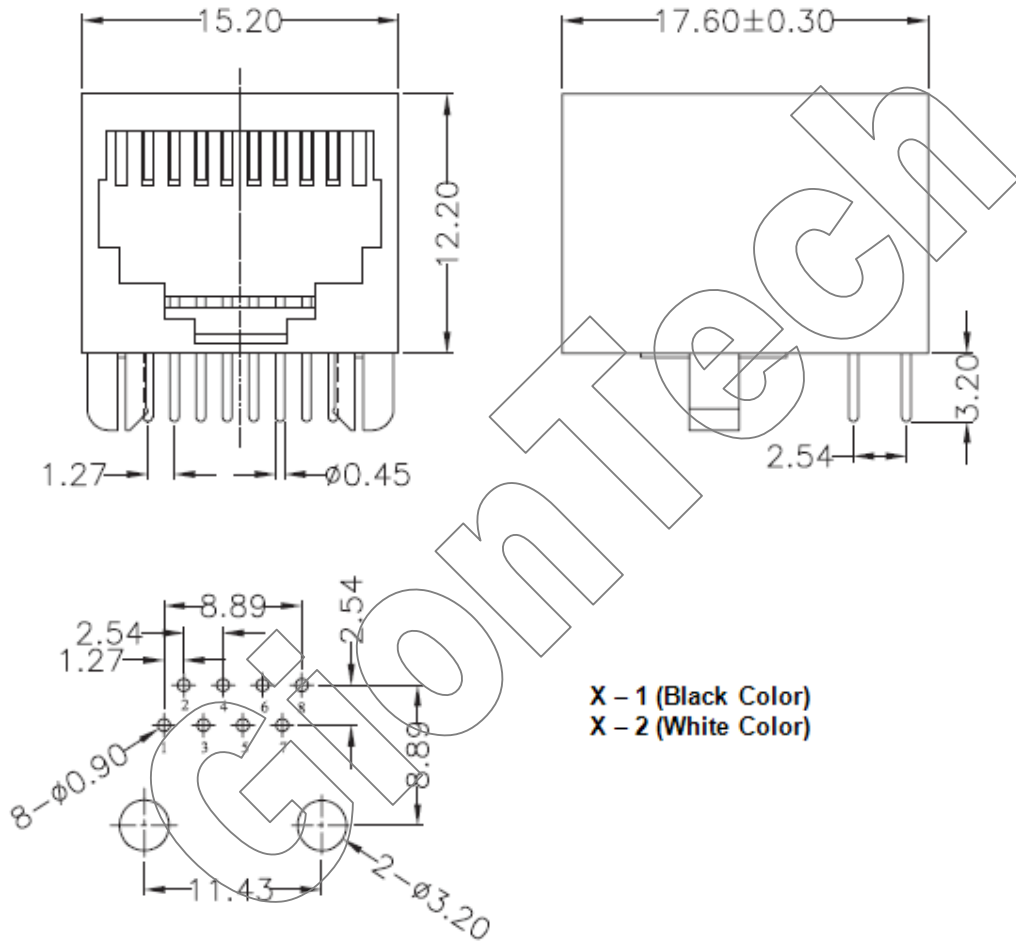
**R45 8P8C Side Enter Connector:**



**SPECIFICATIONS**

Power Rating:	1.5A/125V AC, DC.
Operating Temperature:	-40°C ~+105°C
Relative Humidity:	93%, +40°C
Dielectric Withstanding:	1000V AC/minute
Contact Resistance:	≤ 30 mΩ/Contact
Insulator Resistance:	≥ 1000 MΩ at 500V
Material:	
Houseing:	PBT/Nylon66, UL94V-0
Terminals:	Phosphor Bronze
Shell:	Copper Alloy / Steel, Ni/Tin Plated
Terminal Plating:	Au/Tin Over 50u" Ni
<b>ROHS Compliance</b>	

**RJ45-8P8CA-11X**



X - 1 (Black Color)  
X - 2 (White Color)

Recommended PCB layout