

Swing Switch (SMT Type)



SSG-A3/A4S-200H


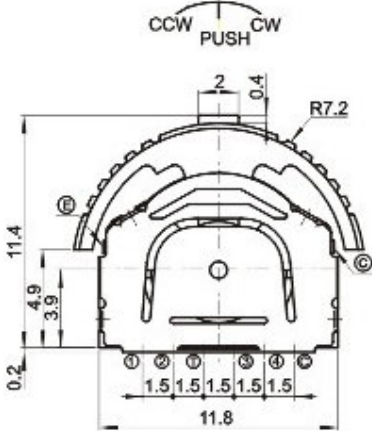
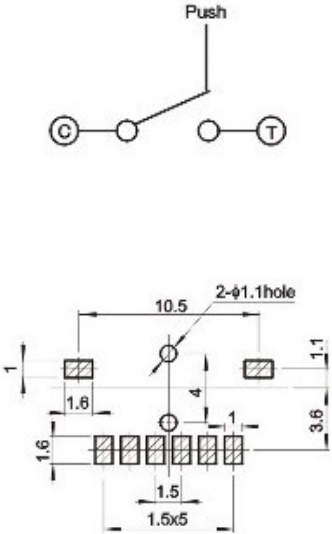

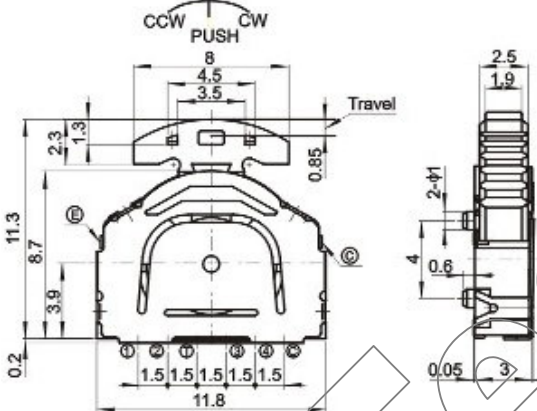
SS - Swing Switch
 G – G Serious
 A3 / A4 – Type
 S – SMT Type
 XXX - Action Force (gram)
 H - With Post (Optional)

SPECIFICATIONS

Mechanical Life:	100,000 cycles
Operating Force:	Lever Portion - 70g±35g Push Portion - 200g±100g
Rating:	10mA 6.3V DC
Dielectric Withstanding:	100V AC/minute
Insulator Resistance:	≥ 100 MΩ at 100V
Contact Resistance:	≤ 100 mΩ/Contact
Operating Temperature:	-30°C ~ +85°C
Storage Temperature:	-40°C ~ +85°C

Material

Base:	PA6T/LCP, UL94V-0
Contact material:	Phosphor Bronze
Contact Spring Plating:	Stainless Steel/Silver Plating

Physical Picture	Outline Drawing	Circuit / Footprint																																
 <p>SSG-A3S-200H</p>																																		
 <p>SSG-A4S-200H</p>	 <p>Code table</p> <table border="1" data-bbox="560 1222 1019 1486"> <thead> <tr> <th></th> <th>25° } CW</th> <th>0°</th> <th>CCW 25° }</th> </tr> </thead> <tbody> <tr> <td>Angle</td> <td>(21.5°) (17°)</td> <td></td> <td>(11°) (21.5°)</td> </tr> <tr> <td>Terminal</td> <td></td> <td></td> <td></td> </tr> <tr> <td>①</td> <td>■</td> <td></td> <td></td> </tr> <tr> <td>②</td> <td>■</td> <td></td> <td></td> </tr> <tr> <td>③</td> <td></td> <td></td> <td>■</td> </tr> <tr> <td>④</td> <td></td> <td></td> <td>■</td> </tr> <tr> <td>⑤</td> <td></td> <td></td> <td>■</td> </tr> </tbody> </table>		25° } CW	0°	CCW 25° }	Angle	(21.5°) (17°)		(11°) (21.5°)	Terminal				①	■			②	■			③			■	④			■	⑤			■	
	25° } CW	0°	CCW 25° }																															
Angle	(21.5°) (17°)		(11°) (21.5°)																															
Terminal																																		
①	■																																	
②	■																																	
③			■																															
④			■																															
⑤			■																															